

# TC-H356Q Spec:30X/IW/A

H.265 5MP 30x Starlight AEW IR PTZ

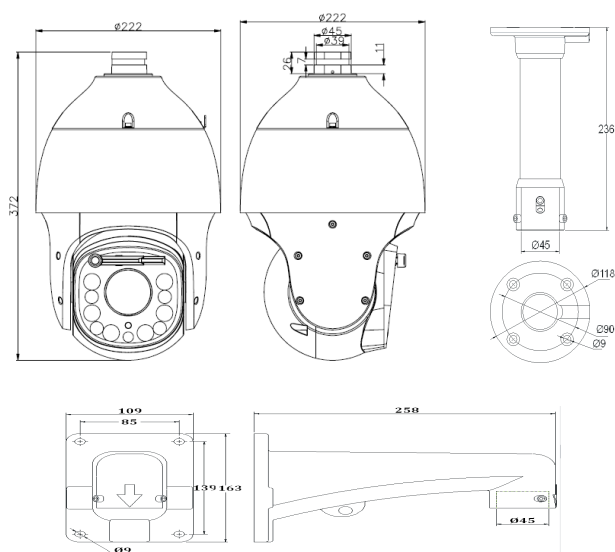
# Tiandy



## Features

- Autotracking Early Warning(AEW)
- IR LED+White Light+Green Laser
- Starlight Ultra Low Light 0.002lux
- S+265/H.265/H.264 HP/MP/BP/M-JPEG Codec
- Up to 2592×1944@30fps
- Mechanical WDR 120dB
- Smart IR, IR Range: 400m
- Min. Illumination Color: 0.002 Lux,B/W: 0.001 Lux, 0 Lux with IR
- NIR, WDR, 3D DNR, HLC, Dual-ICR, AWB, AGC, BLC
- VCA Tripwire/Double Tripwire/Perimeter/Object Abandon/Object Lost/Running/Loitering/Parking/Early Warning/Crowd/Audio Abnormal Detection/Video Abnormal Detection/Face Detection/People Counting/On duty Detection/Auto tracking
- \*Optical Zoom: 30x, Digital Zoom: 16x
- Speed Max 400°/s, -16~90° Tilt Angle
- Interface Built-in Speaker,Audio in/out 1/1,Alarm in/out 8/2,MicroSD Card Slot, up to 128GB, Reset Button,RS-485,BNC
- TVS 6000V, Lightning/Surge 4000V Protection, IP66
- Operating Conditions -40°C-70°C, 0~95% RHG

## Dimensions



<b>Camera</b>		
<b>Image Sensor</b>	1/2.8" CMOS	
<b>Signal System</b>	PAL/NTSC	
<b>Minimum Illumination</b>	Color: 0.002 Lux @(F1.6,AGC ON)	
	B/W: 0.001Lux @(F1.6,AGC ON) 0 Lux with IR	
<b>White Balance</b>	Auto/ ATW/ Manual	
<b>BLC</b>	Y	
<b>HLC</b>	Y	
<b>Smart Defog</b>	Y	
<b>WDR</b>	120dB	
<b>Digital Noise Reduction</b>	3D DNR	
<b>Exposure Mode</b>	Auto/ Manual/Iris First/ Shutter First	
<b>Shutter Time</b>	1/1s ~ 1/10000s	
<b>Day&amp; Night</b>	IR Cut Filter with Auto Switch	
<b>Optical Zoom</b>	30x	
<b>Digital Zoom</b>	16x	
<b>Privacy Masking</b>	24 Privacy Mask Programmable; Optional Multiple Colors	
<b>Auto Focus</b>	Auto/ Semi-automatic/ Manual	
<b>OSD</b>	Size:16×16, 32×32, 24×24, 48×48, 64×64,96×96 Letters, Week, Date, Time, Total 5 Regions ,PTZ Angle Superposition	
<b>Lens</b>		
<b>Focal Length</b>	4.7-141mm, 30x	
<b>Zoom Speed</b>	Approx. 5s(Optical Wide-Tele)	
<b>Angle of View</b>	69.5°(w)~2.7°(t)	
<b>Minimum Working Distance</b>	1-1.5m(Wide-Tele)	
<b>Aperture Range</b>	F1.5 ~ F4.0	
<b>Pan &amp; Tilt</b>		
<b>Pan Range</b>	360°endless	
<b>Pan Speed</b>	Pan Manual Speed: 0.1° -240°/s	
	Pan Preset Speed: 240°/s stepless	
<b>Preset Accuracy</b>	±0.2°	
<b>Tilt Range</b>	-16°-90° (Auto Flip )	
<b>Tilt Speed</b>	Tilt Manual Speed: 0.1°-240°/s	
	Tilt Preset Speed: 240°/s	
<b>3D Position</b>	Y	
<b>Number of Preset</b>	500	
<b>Scan</b>	8	
<b>Cruise</b>	8, up to 32 Presets per Cruise	
<b>Pattern</b>	8, Each One With 600s Memory or 300 Orders	
<b>Power loss recovery</b>	Y	
<b>Guard Action</b>	Preset/ Cruise/ Pattern/ Scan	
<b>PTZ Position Display</b>	Y	
<b>Freeze Frame</b>	Y	
<b>RS-485 Protocols</b>	PTZ_PELCO_D , PTZ_PELCO_P , PTZ_TC615_P , DOME_PELCO_D , DOME_PELCO_P , DOME_PLUS	
<b>Infrared</b>		
<b>IR Irradiation Distance</b>	400m	
<b>IR Irradiation Angle</b>	Adjustable by Zoom	
<b>Interface</b>		
<b>Audio Input</b>	1-ch Line in Interface Line Input 2-2.4V[p-p]; Output Impedance 1KΩ, ±10%	
<b>Audio Output</b>	1-ch, Line level, Impedance: 600Ω, Built-in speaker optional	
<b>Ethernet</b>	1-ch RJ45 10M/ 100M	
<b>Alarm Input</b>	8-ch	
<b>Alarm Output</b>	2-ch	
<b>On-board Storage</b>	MicroSD Card Slot, up to 128GB	
<b>BNC</b>	1.0Vp-p / 75Ω, NTSC (or PAL) Composite	
<b>RS-485</b>	Y	
<b>RESET</b>	Y	
<b>Extension</b>	N/A	
<b>Network</b>		
<b>Max.Image Resolution</b>	5MP(2592×1944)	
<b>Main Stream</b>	2592×1944@25/30fps; 2560×1920@25/30fps; 2560×1520@25/30fps; 2560×1440@25/30fps; 2048×1536@25/30fps; 1920×1080@25/30fps; 1920×1080@50/60fps; 1280×960@25/30fps; 1280×960@50/60fps; 1280×720@25/30fps; 1280×720@50/60fps	
	<b>Sub Stream</b>	704×576@25/30fps; 704×480@25/30fps; 704×288@25/30fps; 704×240@25/30fps; 352×240@25/30fps; 352×288@25/30fps;
	<b>Third Stream</b>	1920×1080@25/30fps; 1280×960@25/30fps; 1280×720@25/30fps; 704×576@25/30fps; 704×480@25/30fps; 640×480@25/30fps; 352×240@25/30fps; 352×288@25/30fps;
	<b>Image Compression</b>	S+265/H.265/H.264 High Profile/MJPEG
<b>ROI Encoding</b>	7 Dynamic Areas for Both Main and Sub Stream	
<b>Audio Compression</b>	G711A/G711U/ADPCM/AAC	
<b>Protocols</b>	TCP/UDP/HTTP/MULTICAST/UPnP/DHCP/PPPoE/DDNS/FTP/NTP/RTSP/SNMP/SMTP	
<b>Remote Connection</b>	10 Users Access at the Same Time	
<b>IP Address</b>	Support static, dynamic IP address, Customized MTU , Customized Network card	
<b>System Compatibility</b>	ONVIF (Profile S), SDK,P2P	



Tiandy Technologies Co., Ltd | [en.tiandy.com](http://en.tiandy.com)

Add: No.8, Huake Rd2, Binhai Hi-Tech Industry(Huayuan), Tianjin 300384 China

Tel: +86-22-58596037 Email: [sales@tiandy.com](mailto:sales@tiandy.com)



# TC-H356Q Spec:30X/IW/A

H.265 5MP 30x Starlight AEW IR PTZ

# Tiandy

## Dimensions(Optional)

Model: DF20



DF21



Advance	
<b>Autotracking Early Warning(AEW)</b>	Keep tracking the target that activates alarming, and enable the speaker to warn, even open the green laser for frightening
<b>Video Analytics(IVA)</b>	Tripwire/Double Tripwire/Perimeter/Object Abandon/Object Lost/Running/Loitering/Parking/Early Warning/Crowd/Audio Abnormal Detection/Video Abnormal Detection/Face Detection/People Counting/On duty Detection/Auto tracking/Parking Detection/Safety Helmet Detection
<b>Smart-tracking</b>	By Manual/ Panorama/Tripwire/ Perimeter/Early warning trigger
<b>Intelligent Alarm</b>	Harsh Voice Alarm, Motion Detection, Mask Alarm, Port Alarm,Network Disable Alarm, IP Conflict, MAC Conflict Detection
General	
<b>Language</b>	English,Spanish,Korean,Italian,Turkish,Thai,Russian,Traditional Chinese,Simplified Chinese,Polish,French
<b>Operating Conditions</b>	-40°C-70°C, 0~95% RHG
<b>Power Supply</b>	AC24V 3A
<b>Power Consumption</b>	38.6W MAX
<b>Circuit Protection</b>	TVS 6000V, Lightning/ Surge 4000V Protection
<b>Impact Protection</b>	IP66
<b>IR LEDs</b>	8pcs
<b>White LEDES</b>	2pcs
<b>Wiper</b>	Y
<b>Dimensions</b>	372mmx222mmx222mm
<b>Weight</b>	5.3KG (IP PTZ Only), 8KG (with Packing Box)

\* The latest product information / specification can be found at <http://en.tiandy.com/>



Tiandy Technologies Co., Ltd | [en.tiandy.com](http://en.tiandy.com)

Add: No.8, Huake Rd2, Binhai Hi-Tech Industry(Huayuan), Tianjin 300384 China

Tel: +86-22-58596037 Email: [sales@tiandy.com](mailto:sales@tiandy.com)

